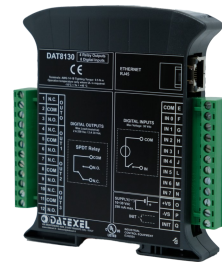


Modbus TCP/IP server 8 Digital Inputs / 4 Relay Outputs

DAT 8130

FEATURES

- Interface Ethernet 10/100 Base-T, Modbus TCP Server
- N.8 Digital inputs
- N.4 Relay outputs (SPDT)
- Built-in Web server to acquire the digital inputs state and drive the digital outputs via web browser
- Remotely programmable
- Connection by removable screw-terminals
- LED signalling for Link/Act Ethernet, power supply
- LED signalling for digital inputs and outputs state
- Galvanic isolation on all the ways
- UL / CE / UKCA mark
- In compliance to EN-50022 DIN rail mounting



GENERAL DESCRIPTION

The device DAT8130 is a Modbus TCP server unit with 8 digital input channels and 4 relay outputs type SPDT.

For the digital inputs are available up to four 32 bit counters with measure of frequency up to 300 Hz. The Ethernet interface allows to read and write in real time the value of device's internal registers. The built-in Web Server allows the remote visualization and acquisition of the digital inputs state, to drive the relay outputs and access to and configure the main Ethernet parameters via web browser. The device is also configurable by the software *Dev9K*, a free IDE developed by DATEXEL. The device realizes a full electrical isolation between the lines, introducing a valid protection against the effects of all ground loops eventually existing in industrial applications. The LEDs of signalling of Ethernet activity, input, output state and power supply allow a direct monitoring of the system functionality. The connection is made by removable screw-terminals (inputs, outputs and power supply) and RJ45 plug (Ethernet).

The DAT8130 is in compliance with the Directive UL 61010-1 for US market and with the Directive CSA C22.2 No 61010-1 for the Canadian market.

The device is housed in a rough self-extinguishing plastic enclosure which, thanks to its thin profile of 22.5 mm only, allows a high density mounting on EN-50022 standard DIN rail.

USER INSTRUCTIONS

Before to install the device, please read the "Installation Instruction" section. To configure the device use the INIT modality. Connect the terminal INIT to the terminal -V (refer to the User Guide of the device). Connect power supply, Ethernet, digital inputs and relay outputs as shown in the "Wiring" section. The LEDs state depends on the working condition of the device: see the "Light Signalling" section to verify the device working state. To perform configuration and calibration operations, read the instructions in the User Guide of the device.

To simplify handling or replacing of the device, it is possible to remove the wired terminals even with the device powered.

TECHNICAL SPECIFICATIONS (Typical @ 25 °C and in the nominal conditions)

DIGITAL INPUTS (WET CONTACTS)	ETHERNET INTERFACE	GENERAL SPECIFICATIONS																																																																																																														
<table border="0"> <tr><td>Channels</td><td>8</td></tr> <tr><td>Input voltage (bipolar)</td><td></td></tr> <tr><td>OFF state</td><td>0 ÷ 3 V</td></tr> <tr><td>ON state</td><td>10 ÷ 30 V</td></tr> <tr><td>Impedance</td><td>4.7 KΩ</td></tr> <tr><td>Sample time</td><td>5 ms</td></tr> <tr><td>Number of counters</td><td>4</td></tr> <tr><td>Counters register bit-length</td><td>32 bit</td></tr> <tr><td>Counters frequency</td><td>up to 300 Hz</td></tr> <tr><td>Minimum pulse width</td><td>1 ms</td></tr> </table>	Channels	8	Input voltage (bipolar)		OFF state	0 ÷ 3 V	ON state	10 ÷ 30 V	Impedance	4.7 KΩ	Sample time	5 ms	Number of counters	4	Counters register bit-length	32 bit	Counters frequency	up to 300 Hz	Minimum pulse width	1 ms	<p>In compliance with Ethernet IEEE 802.3</p> <table border="0"> <tr><td>Network interface</td><td>Ethernet 10/100Base-T</td></tr> <tr><td>Protocol</td><td>Modbus TCP</td></tr> <tr><td>Max. cable length</td><td>100 meters</td></tr> <tr><td>Number of socket</td><td>16</td></tr> </table>	Network interface	Ethernet 10/100Base-T	Protocol	Modbus TCP	Max. cable length	100 meters	Number of socket	16	<table border="0"> <tr><td>Power supply voltage</td><td>10 .. 30 Vdc</td></tr> <tr><td>Reverse polarity protection</td><td>60 Vdc max</td></tr> <tr><td>Current Consumption</td><td>290 mA max</td></tr> <tr><td colspan="2">ISOLATION (test time : 1 minute)</td></tr> <tr><td>Power Supply / Ethernet</td><td>1500 Vac, 50 Hz</td></tr> <tr><td>Inputs / Power supply</td><td>1500 Vac, 50 Hz</td></tr> <tr><td>Inputs / Ethernet</td><td>1500 Vac, 50 Hz</td></tr> <tr><td>Input / Output</td><td>1500 Vac, 50 Hz</td></tr> <tr><td colspan="2">ENVIRONMENTAL CONDITIONS</td></tr> <tr><td>Operative Temperature</td><td>-10°C .. +60°C</td></tr> <tr><td>UL Operative Temperature</td><td>-10°C .. +40°C</td></tr> <tr><td>Storage Temperature</td><td>-40°C .. +85°C</td></tr> <tr><td>Humidity (not condensed)</td><td>0 .. 90 %</td></tr> <tr><td>Maximum Altitude</td><td>2000 m</td></tr> <tr><td>Installation</td><td>Indoor</td></tr> <tr><td>Category of installation</td><td>II</td></tr> <tr><td>Pollution Degree</td><td>2</td></tr> <tr><td colspan="2">CONNECTIONS</td></tr> <tr><td>Ethernet</td><td>RJ-45 (on side)</td></tr> <tr><td>Inputs / Outputs</td><td>Screw terminal block</td></tr> <tr><td>Power Supply</td><td>Screw terminal block</td></tr> <tr><td colspan="2">MECHANICAL SPECIFICATIONS</td></tr> <tr><td>Material</td><td>Self-extinguish plastic</td></tr> <tr><td>IP Code</td><td>IP20</td></tr> <tr><td>Wiring</td><td>wires with diameter 0.8÷2.1 mm² / AWG 14-18</td></tr> <tr><td>Tightening Torque</td><td>0.5 N m</td></tr> <tr><td>Mounting</td><td>in compliance with DIN rail standard EN-50022</td></tr> <tr><td>Weight</td><td>about 190 g</td></tr> <tr><td colspan="2">EMC (for industrial environments)</td></tr> <tr><td>Immunity</td><td>EN 61000-6-2</td></tr> <tr><td>Emission</td><td>EN 61000-6-4</td></tr> <tr><td colspan="2">UKCA (ref S.I. 2016 N°1091)</td></tr> <tr><td>Immunity</td><td>BS EN 61000-6-2</td></tr> <tr><td>Emission</td><td>BS EN 61000-6-4</td></tr> <tr><td colspan="2">UL</td></tr> <tr><td>US Standard</td><td>UL 61010-1</td></tr> <tr><td>Canadian Standard</td><td>CSA C22.2 No 61010-1</td></tr> <tr><td>CCN</td><td>NRAQ/NRAQ7</td></tr> <tr><td>Typology</td><td>Open Type device</td></tr> <tr><td>Classification</td><td>Industrial Control Equipment</td></tr> <tr><td>File Number</td><td>E352854</td></tr> </table>	Power supply voltage	10 .. 30 Vdc	Reverse polarity protection	60 Vdc max	Current Consumption	290 mA max	ISOLATION (test time : 1 minute)		Power Supply / Ethernet	1500 Vac, 50 Hz	Inputs / Power supply	1500 Vac, 50 Hz	Inputs / Ethernet	1500 Vac, 50 Hz	Input / Output	1500 Vac, 50 Hz	ENVIRONMENTAL CONDITIONS		Operative Temperature	-10°C .. +60°C	UL Operative Temperature	-10°C .. +40°C	Storage Temperature	-40°C .. +85°C	Humidity (not condensed)	0 .. 90 %	Maximum Altitude	2000 m	Installation	Indoor	Category of installation	II	Pollution Degree	2	CONNECTIONS		Ethernet	RJ-45 (on side)	Inputs / Outputs	Screw terminal block	Power Supply	Screw terminal block	MECHANICAL SPECIFICATIONS		Material	Self-extinguish plastic	IP Code	IP20	Wiring	wires with diameter 0.8÷2.1 mm ² / AWG 14-18	Tightening Torque	0.5 N m	Mounting	in compliance with DIN rail standard EN-50022	Weight	about 190 g	EMC (for industrial environments)		Immunity	EN 61000-6-2	Emission	EN 61000-6-4	UKCA (ref S.I. 2016 N°1091)		Immunity	BS EN 61000-6-2	Emission	BS EN 61000-6-4	UL		US Standard	UL 61010-1	Canadian Standard	CSA C22.2 No 61010-1	CCN	NRAQ/NRAQ7	Typology	Open Type device	Classification	Industrial Control Equipment	File Number	E352854
Channels	8																																																																																																															
Input voltage (bipolar)																																																																																																																
OFF state	0 ÷ 3 V																																																																																																															
ON state	10 ÷ 30 V																																																																																																															
Impedance	4.7 KΩ																																																																																																															
Sample time	5 ms																																																																																																															
Number of counters	4																																																																																																															
Counters register bit-length	32 bit																																																																																																															
Counters frequency	up to 300 Hz																																																																																																															
Minimum pulse width	1 ms																																																																																																															
Network interface	Ethernet 10/100Base-T																																																																																																															
Protocol	Modbus TCP																																																																																																															
Max. cable length	100 meters																																																																																																															
Number of socket	16																																																																																																															
Power supply voltage	10 .. 30 Vdc																																																																																																															
Reverse polarity protection	60 Vdc max																																																																																																															
Current Consumption	290 mA max																																																																																																															
ISOLATION (test time : 1 minute)																																																																																																																
Power Supply / Ethernet	1500 Vac, 50 Hz																																																																																																															
Inputs / Power supply	1500 Vac, 50 Hz																																																																																																															
Inputs / Ethernet	1500 Vac, 50 Hz																																																																																																															
Input / Output	1500 Vac, 50 Hz																																																																																																															
ENVIRONMENTAL CONDITIONS																																																																																																																
Operative Temperature	-10°C .. +60°C																																																																																																															
UL Operative Temperature	-10°C .. +40°C																																																																																																															
Storage Temperature	-40°C .. +85°C																																																																																																															
Humidity (not condensed)	0 .. 90 %																																																																																																															
Maximum Altitude	2000 m																																																																																																															
Installation	Indoor																																																																																																															
Category of installation	II																																																																																																															
Pollution Degree	2																																																																																																															
CONNECTIONS																																																																																																																
Ethernet	RJ-45 (on side)																																																																																																															
Inputs / Outputs	Screw terminal block																																																																																																															
Power Supply	Screw terminal block																																																																																																															
MECHANICAL SPECIFICATIONS																																																																																																																
Material	Self-extinguish plastic																																																																																																															
IP Code	IP20																																																																																																															
Wiring	wires with diameter 0.8÷2.1 mm ² / AWG 14-18																																																																																																															
Tightening Torque	0.5 N m																																																																																																															
Mounting	in compliance with DIN rail standard EN-50022																																																																																																															
Weight	about 190 g																																																																																																															
EMC (for industrial environments)																																																																																																																
Immunity	EN 61000-6-2																																																																																																															
Emission	EN 61000-6-4																																																																																																															
UKCA (ref S.I. 2016 N°1091)																																																																																																																
Immunity	BS EN 61000-6-2																																																																																																															
Emission	BS EN 61000-6-4																																																																																																															
UL																																																																																																																
US Standard	UL 61010-1																																																																																																															
Canadian Standard	CSA C22.2 No 61010-1																																																																																																															
CCN	NRAQ/NRAQ7																																																																																																															
Typology	Open Type device																																																																																																															
Classification	Industrial Control Equipment																																																																																																															
File Number	E352854																																																																																																															
<table border="0"> <tr><td colspan="2">DIGITAL OUTPUT</td></tr> <tr><td>Channels</td><td>4</td></tr> <tr><td>Type</td><td>SPDT relay</td></tr> <tr><td>Max. switching power with resistive load per contact</td><td></td></tr> <tr><td></td><td>2 A @ 250 Vac</td></tr> <tr><td></td><td>2 A @ 30 Vdc</td></tr> <tr><td>Max. voltage:</td><td></td></tr> <tr><td></td><td>250Vac(50/60Hz)</td></tr> <tr><td></td><td>30Vdc</td></tr> <tr><td>Dielectric strength between contacts</td><td></td></tr> <tr><td></td><td>1000 Vac, 50 Hz, 1 min.</td></tr> <tr><td>Dielectric strength between coil and contacts</td><td></td></tr> <tr><td></td><td>4000 Vac, 50 Hz, 1 min.</td></tr> </table>	DIGITAL OUTPUT		Channels	4	Type	SPDT relay	Max. switching power with resistive load per contact			2 A @ 250 Vac		2 A @ 30 Vdc	Max. voltage:			250Vac(50/60Hz)		30Vdc	Dielectric strength between contacts			1000 Vac, 50 Hz, 1 min.	Dielectric strength between coil and contacts			4000 Vac, 50 Hz, 1 min.																																																																																						
DIGITAL OUTPUT																																																																																																																
Channels	4																																																																																																															
Type	SPDT relay																																																																																																															
Max. switching power with resistive load per contact																																																																																																																
	2 A @ 250 Vac																																																																																																															
	2 A @ 30 Vdc																																																																																																															
Max. voltage:																																																																																																																
	250Vac(50/60Hz)																																																																																																															
	30Vdc																																																																																																															
Dielectric strength between contacts																																																																																																																
	1000 Vac, 50 Hz, 1 min.																																																																																																															
Dielectric strength between coil and contacts																																																																																																																
	4000 Vac, 50 Hz, 1 min.																																																																																																															

INSTALLATION INSTRUCTIONS

The device is suitable for fitting to DIN rails in vertical position.

For optimum operation and long life follow these instructions:

When the devices are installed side by side it is necessary to separate them by at least:

- 10 mm if the UL certification is required.

- 5 mm if the UL certification is not required.

Make sure that sufficient air flow is provided for the device avoiding to place raceways or other objects which could obstruct the ventilation slits. Moreover it is suggested to avoid that devices are mounted above appliances generating heat; their ideal place should be in the lower part of the panel.

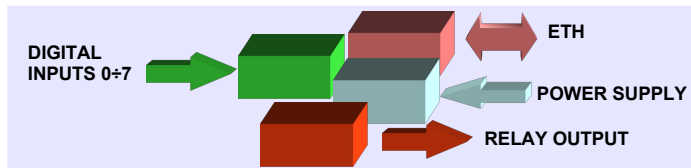
Install the device in a place without vibrations.

Moreover it is suggested to avoid routing conductors near power signal cables (motors, induction ovens, inverters, etc...) and to use shielded cable for connecting signals.

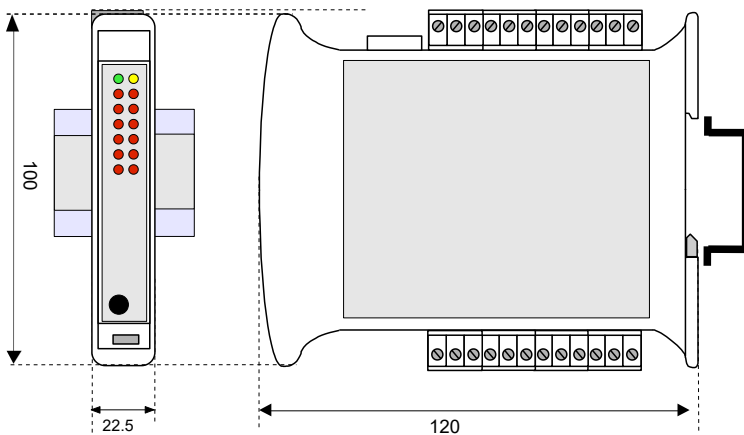
LIGHT SIGNALLING

LED	COLOUR	STATE	DESCRIPTION
PWR	GREEN	ON	Device powered
		OFF	Device not powered
		BLINK	Watchdog alarm
STS	YELLOW	OFF	Device in RUN modality
		BLINK	Device in INIT modality
I n	RED	ON	Digital Inputs High Level (1)
		OFF	Digital Inputs Low Level (0)
O n	RED	ON	Digital Outputs High Level (1)
		OFF	Digital Outputs Low Level (0)

ISOLATION STRUCTURE

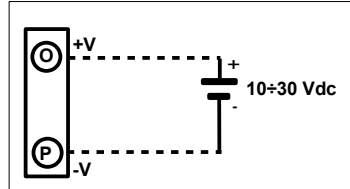


MECHANICAL DIMENSIONS (mm)

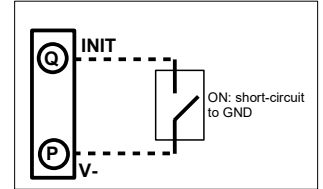


WIRING

POWER SUPPLY(*)

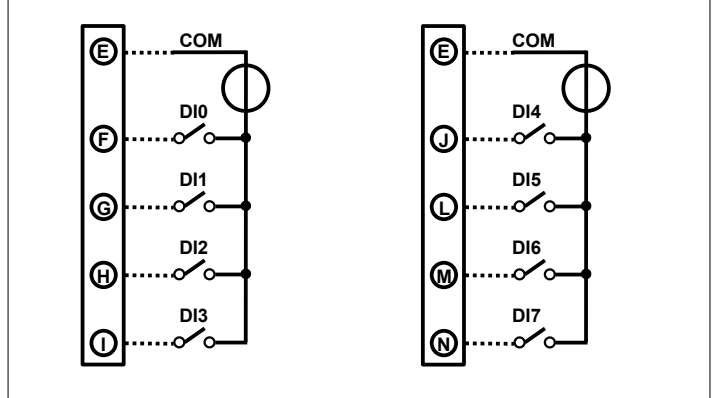


INIT



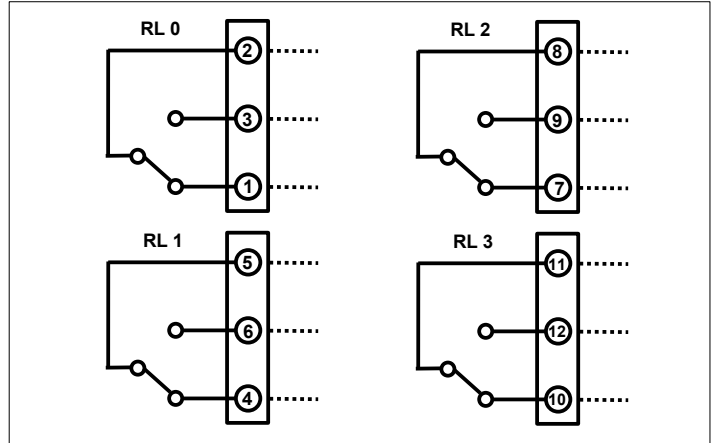
(*) Note: for UL installation the device must be powered using a power supply unit classified NEC class 2 or SELV and Limited Energy

DIGITAL INPUTS



NOTE: the input channels are not isolated between them

RELAY OUTPUTS



MAPPING MODBUS REGISTERS

Register Position	Description	Access
40002	Firmware [0]	RO
40003	Firmware [1]	RO
40004	Name [0]	R/W
40005	Name [1]	R/W
40007	Node ID	R/W
40011	System Flags	R/W
40012	Power Up / Safe	R/W
40013	Watchdog timer	R/W
40031	Digital Outputs	R/W
40032	Digital Inputs	RO
40033	Digital Inputs Rise Latch	R/W
40034	Digital Inputs Fall Latch	R/W
40035	Freq. Digital Input 0	RO
40036	Freq. Digital Input 1	RO
40037	Freq. Digital Input 2	RO
40038	Freq. Digital Input 3	RO
40039	32 bit Counter Digital Input 0	R/W
40041	32 bit Counter Digital Input 1	R/W
40043	32 bit Counter Digital Input 2	R/W
40045	32 bit Counter Digital Input 3	R/W

HOW TO ORDER

“ DAT 8130 “

Note: the device is provided with default configuration as:

IP address : 192.168.1.100

Modbus address: 1



The symbol reported on the product indicates that the product itself must not be considered as a domestic waste. It must be brought to the authorized recycle plant for the recycling of electrical and electronic waste. For more information contact the proper office in the user's city, the service for the waste treatment or the supplier from which the product has been purchased.